



2.2 Ah Battery P/N 36441

Space Vector fabricates a variety of rugged Ni-Cd battery packs suitable for launch vehicles, spacecraft, UAVs and other applications encountering severe environmental conditions. The 2.2 Ah battery is used on several range approved Flight Termination Systems (FTS).

Flight History:

White Sands Missile Range - Hera Targets

Wallops Island Flight Facility - ALV and ABIE missions

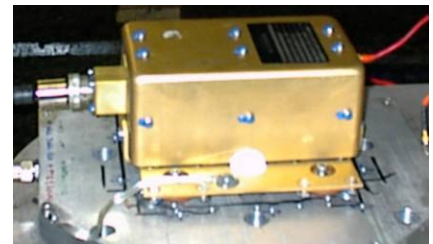
Pt. Mugu Sea Test Range - AltAir program

Kodiak Launch Complex - Ait-2 mission

Vandenberg AFB - Blue Velvet (Scud) program

Specifications:

Weight:	6.6 lbs
Capacity:	2.2 Amp Hour
Nominal Voltage:	28.8 VDC
Maximum Discharge Current	
Continuous:	58 Amps
Momentary:	116 Amps (1 sec)
Operating Temperature (tested):	-28 °C to +71 °C



FTS Battery during environmental testing



Options:

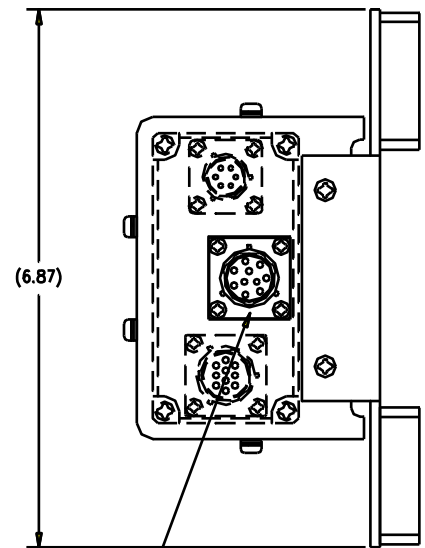
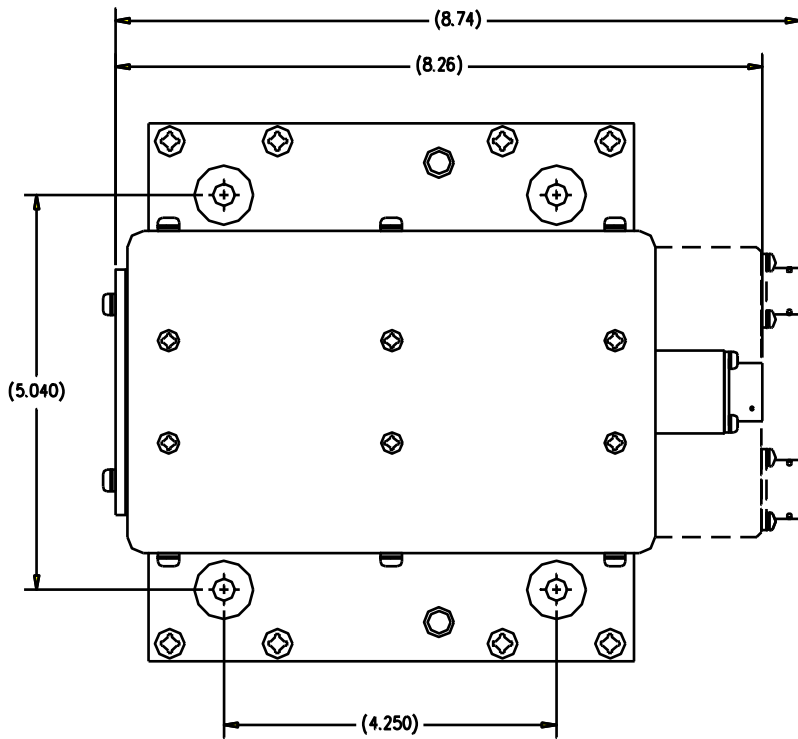
Current Monitor
0-12A input / 0-5V output
(can be scaled as needed)

Footprint
Standard and customer defined configurations available with and without isolators

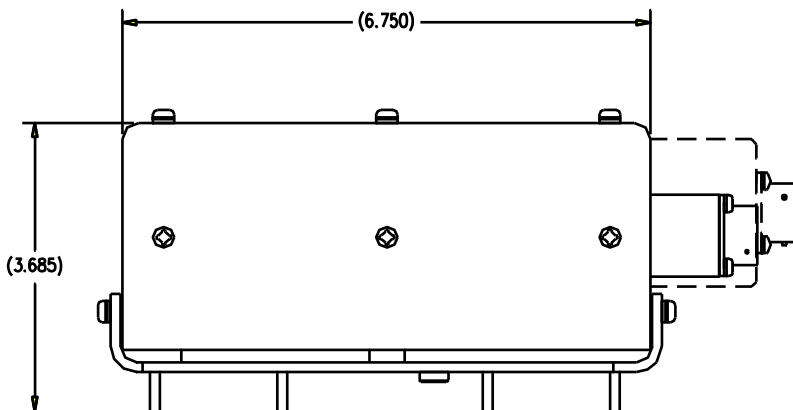
Temperature Sensor



2.2 Ah Battery P/N 36441



INTERFACE CONNECTOR
MS3122E12-10S



Dashed line shows
envelope with optional
current monitor