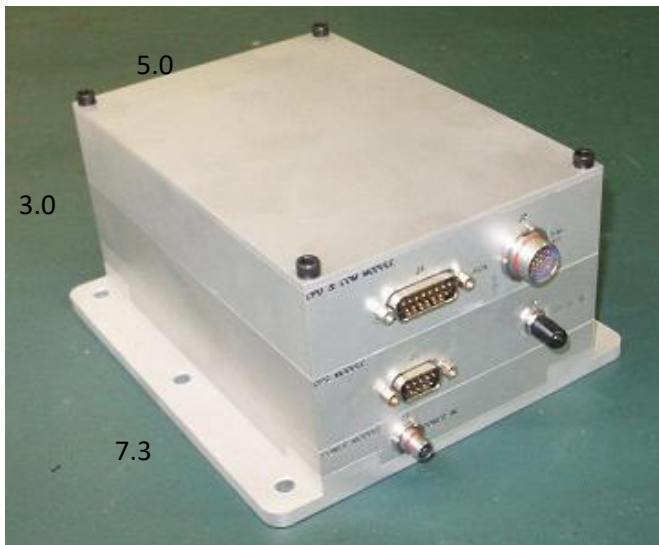


# GPS Tracking Receiver 38501 Series

**Space Vector** produces a rugged GPS Receiver package suitable for launch vehicles, spacecraft, UAVs and other applications encountering severe environmental conditions.

## Features

- Provides real-time S-Band downlink of GPS at 20 Hz sample rate
- Maintains track even under high dynamic missile environments
- Modular design facilitates changing of components
- Open architecture allows for rapid addition of new capabilities
- RF isolation in each module prevents any leakage from corrupting other processor/com/power subsystems
- Range qualified



*GPS Tracking Receiver*

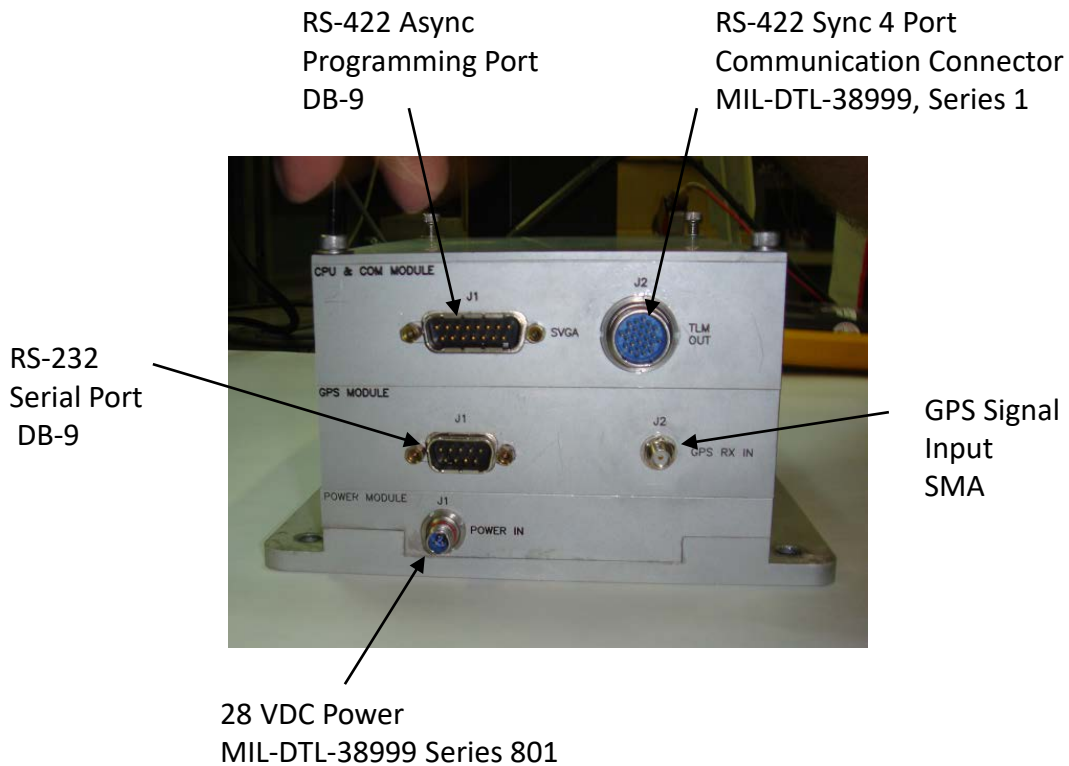


*Atlas V GPS Tracking Unit*

## Specifications

Weight:	5.5 lbs
Dimensions (inches):	5.0 W x 3.0 H x 7.3 L
Operating Voltage Range:	24 - 32 VDC
Allowable Frequencies:	GPS L1 (1575 MHz +/-10 MHz)
Dynamic Operational Capabilities (as spec'd)	Velocities up to 24,500 ft./s Accelerations up to 16 g Jerk up to 38.5 g/s for a duration of 200 ms or less.

# GPS Tracking Receiver 38501 Series



## Environments:

Operating Temperature:	-35°C to +71°C
Shock:	580 g's from 1400-10,000 Hz
Random Vibration:	36.8 grms from 20-2000 Hz
Sinusoidal Vibration:	Various profiles tested up to 16 g's
EMI/EMC:	RCC 324-01

## Optional Features:

- SAASM or HDMA Receiver
- Enhanced PVT Rate Processing Available
- RS-422/485 or MIL-STD-1553 Avionics Interface
- GlobalStar, TDRSS or other Satcom Interface
- Serial or RF Modulated Telemetry Outputs
- On-board or Remote Power Switching
- Encryption Available
- Integration into complete Autonomous Flight Termination System (AFTS)