



2.2 AH Battery P/N 36441

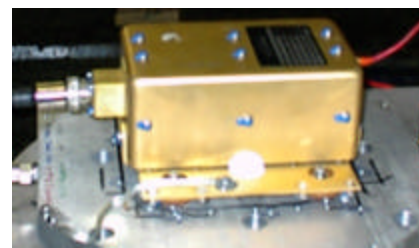
Space Vector fabricates two types of rugged NiCd battery packs suitable for launch vehicles and other applications encountering severe environmental conditions. The 2.2 Amp Hour battery is used on several range approved Flight Termination Systems (FTS).

Flight History:

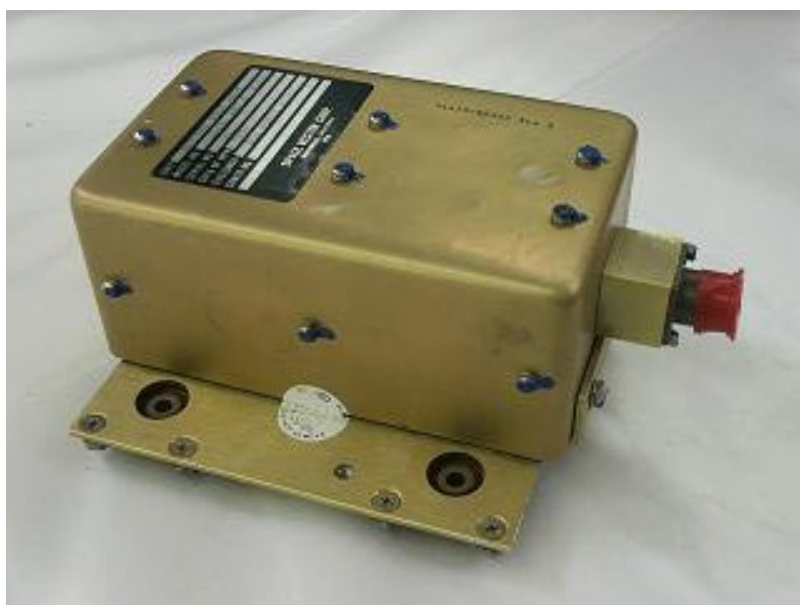
White Sands Missile Range - Hera Targets
Wallops Island Flight Facility - ALV and ABIE missions
Pt. Mugu Sea Test Range - AltAir program
Kodiak Launch Complex - Ait-2 mission
Vandenberg AFB - Blue Velvet (Scud) program

Specifications:

Weight:	6.6 lbs
Capacity:	2.2 Amp Hour (C/1)
Nominal Voltage:	28.8 VDC
Maximum Discharge Current	
Continuous:	58 Amps
Momentary (1 second):	116 Amps
Operating Temperature (tested):	-28°C to +71°C



FTS Battery during environmental testing



Options:

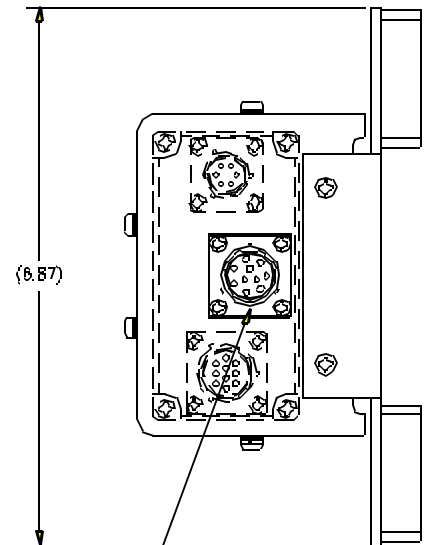
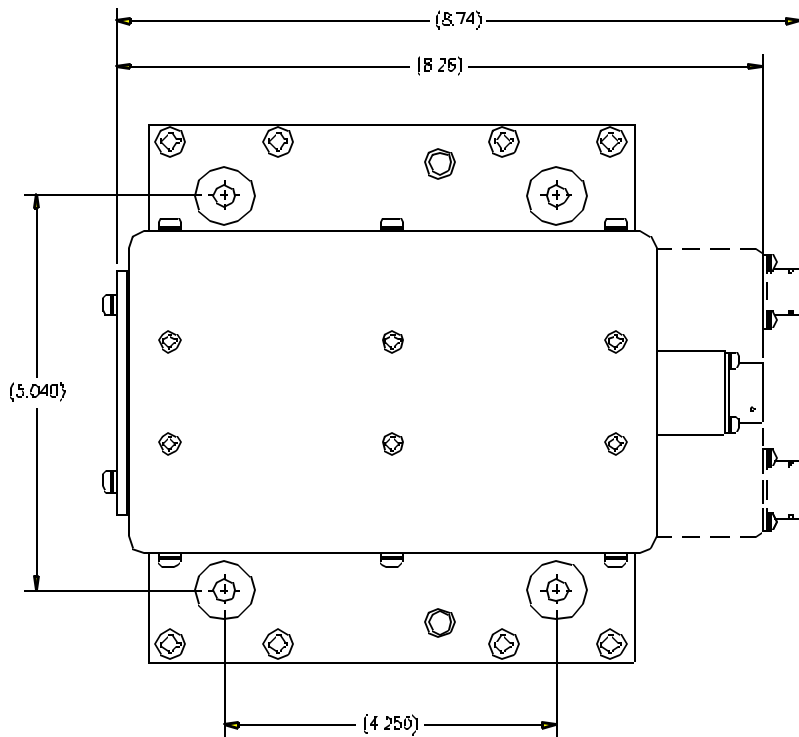
Current Monitor
0-12A input / 0-5V output
(can be scaled as needed)

Footprint/Isolation
Standard and customer defined configurations available.

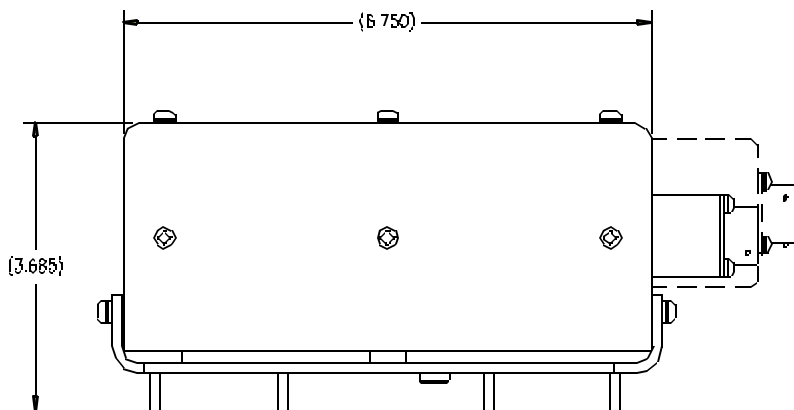


**SPACE
VECTOR**
A Pemco Aviation Group Company

2.2 AH Battery P/N 36441



INTERFACE CONNECTOR
MS3122E12-10S



Dashed line shows
envelope with optional
current monitor