

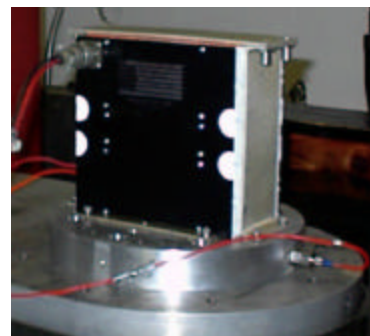


7.0 AH Battery P/N 31771

Space Vector fabricates two types of rugged NiCd battery packs suitable for launch vehicles and other applications encountering severe environmental conditions. The 7.0 amp hour batteries are used to power various ordnance, telemetry and vehicle systems.

Flight History:

White Sands Missile Range - Aries Launch Vehicles
Wallops Island Flight Facility - ALV and ABIE missions
Pt. Mugu Sea Test Range - AltAir program
Kodiak Launch Complex - Ait-2 mission
Kwajalein Missile Range - PLV integrated flight tests



System Battery during environmental testing



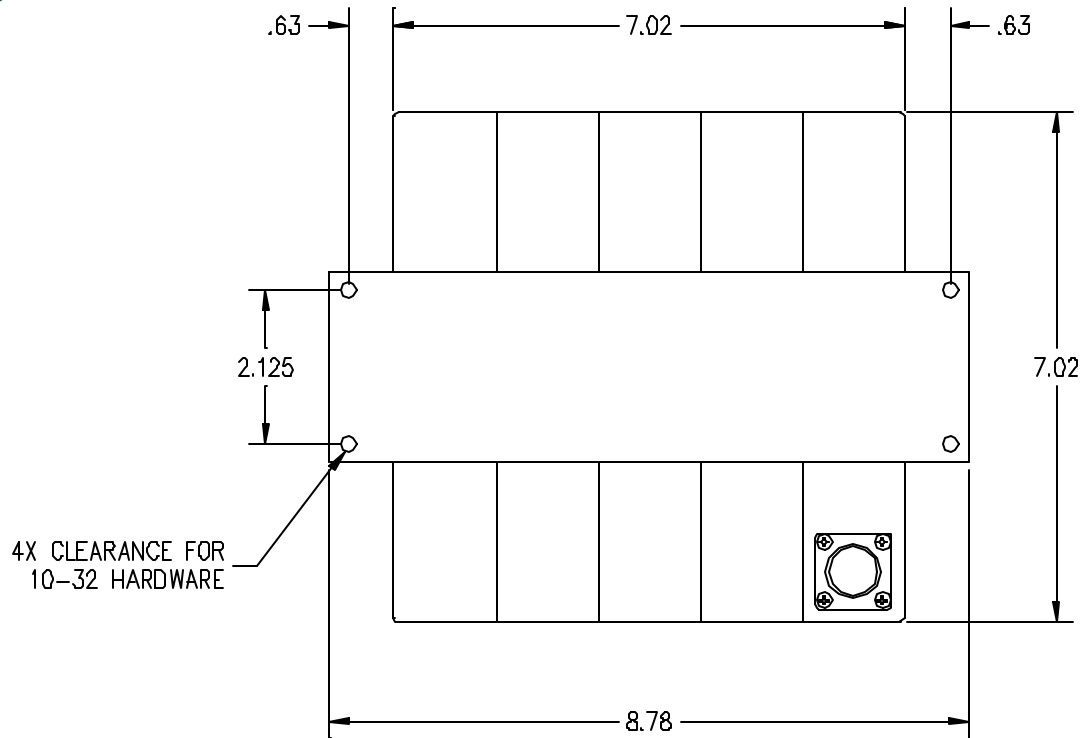
Specifications:

Weight:	14.6 lbs inc. mtg. brackets
Capacity:	7.0 Amp Hour (C/1)
Nominal Voltage:	28.8 VDC
Maximum Discharge Current	
Continuous:	58 Amps
Momentary (1 second):	116 Amps
Operating Temperature (tested):	-21°C to +60°C

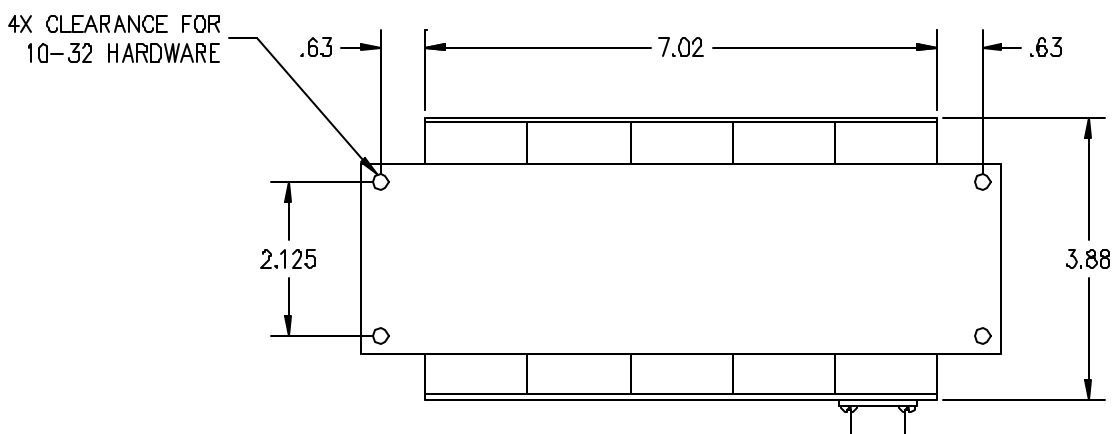


**SPACE
VECTOR**
A Pemco Aviation Group Company

7.0 AH Battery P/N 31771



Back Mounted Configuration



Side Mounted Configuration