

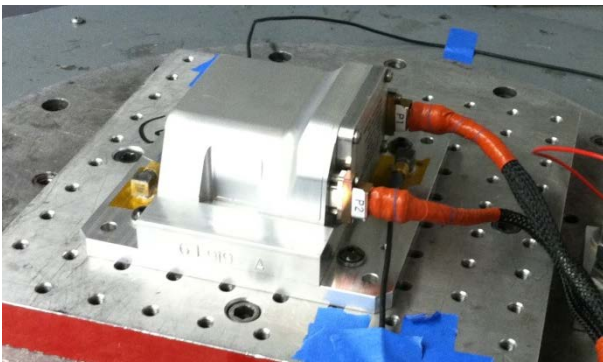
Lithium-Ion FTS Battery

39401 Series

Space Vector fabricates a variety of rugged 28V Li-Ion battery packs suitable for launch vehicles, missiles, spacecraft, UAVs and other applications encountering severe environmental conditions. The 39401 series batteries are used in range approved Flight Termination Systems (FTS) and applications that require high current discharge capability.

Features

- Compact and Lightweight
- Digital Interface
 - RS-422 Standard Communication or Optional MIL-STD-1553B, Ethernet, CAN Bus
 - Digital and analog cell Health and Status (H&S) data
- Micro-D or Standard D-Sub Connectors
- 23.5 W Cell Heater for low temp. operation < -20°C
- Cells Screened and Batteries Tested per RCC 319-14



Battery Designed to Operate in High Dynamic Environments



Small Form Factor

Specifications

Weight:	1.3 to 1.6 lbs
Dimensions:	3.5" L x 4.1" W x 2.0" H curved 4.25" L x 4.0" W x 2.0" H flat
Capacity:	2.0 Ah nom. (1.5 Ah min., 2.5 Ah max.) 2.5 Ah version available (2.0-3.0 Ah) 3.0 Ah version available (2.5-3.5 Ah)
Voltage:	28.8 V Nominal (33.6 V to 20.0 V)
Charge Current:	1.25 A, C/2 standard (4 A max.)
Discharge Current:	5 Amps Continuous
Operating Temp.:	-20°C to +60°C
Tested	-43°C with heaters to +70°C



Batteries and Cells tested to RCC 319-14 with Charger/Analyzer 500451



Lithium-Ion FTS Battery 39401 Series



Configurations

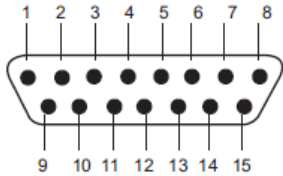
39401 Curved Back

39401-1 Flat Back, Dual Connector 3.65" x 1.75" #10-32, 4X

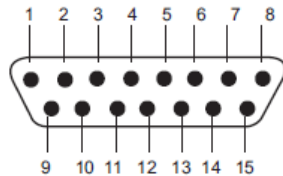
39401-2 Flat Back, Single Connector 3.475" x 2.7" #10-32, 4X as shown

Mounting

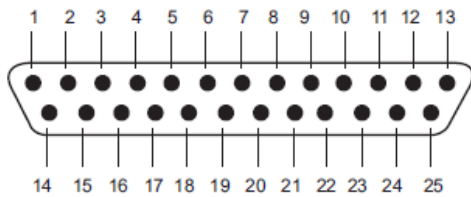
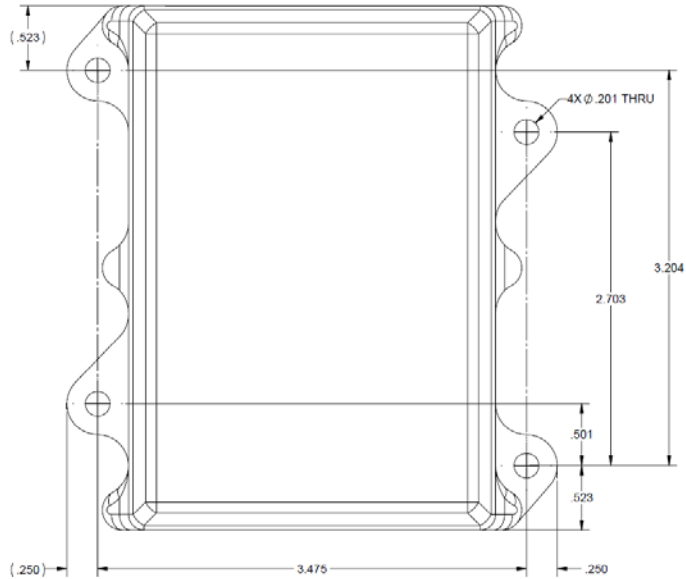
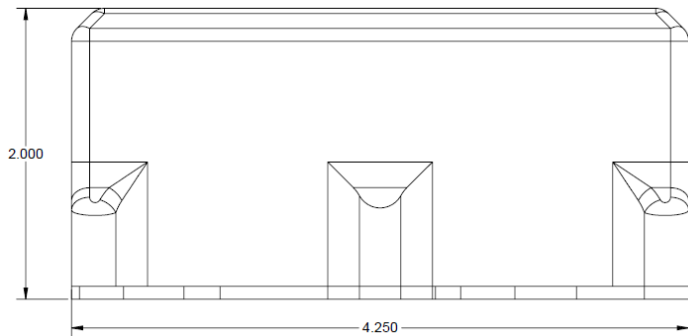
See drawing/model



Connector 15P – J1
M83513/28-B01PP Pins



Connector 15S – J2
M83513/31-B01PP Sockets



Ultra Lightweight 39401-2 Configuration



MDM-25PH016B

Pin	Description	Pin	Description
1	PACK LOW (CHARGE)	13	PACK HIGH (CHARGE)
2	C1-	14	PACK LOW (CHARGE)
3	C1+	15	PACK LOW (BALANCE)
4	C2+	16	CMP 28V HIGH A
5	C3+	17	CMP 28V HIGH RETURN
6	C4+	18	CHASSIS GND
7	C5+	19	TLM_RS422+
8	C6+	20	TLM_RS422-
9	C7+	21	GSE_RS422+
10	C8+	22	GSE_RS422-
11	HEATER+	23	CMP 28V HIGH B
12	HEATER-	24	PACK HIGH (BALANCE)
		25	PACK HIGH (CHARGE)